

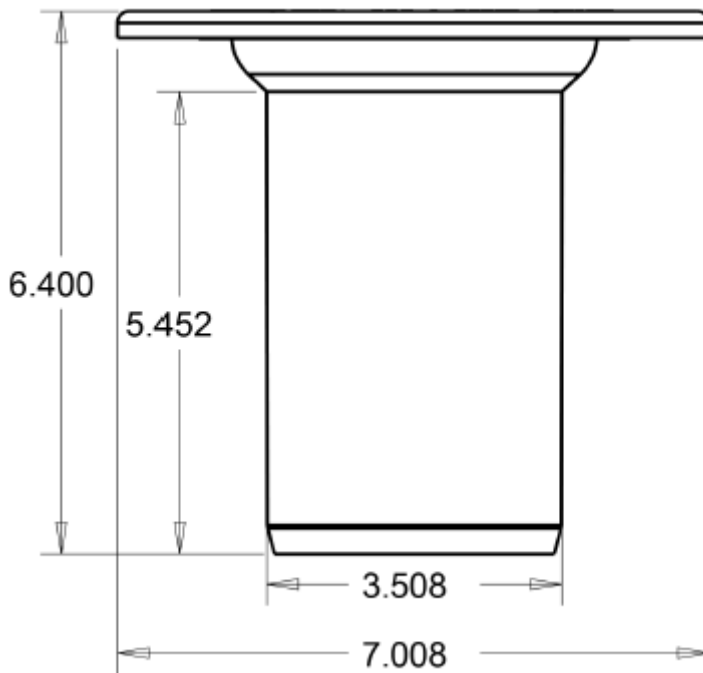


Adjustable Ring Long Closet Flange

Product Specifications

FEATURES

- Fits inside 3" Hub (3" Spigot)
- 6" Spigot Extension Can Be Cut to Length
- Metal adjustable ring allows easy alignment of bolts and screws
- 6 countersunk screw holes for anchoring to the sub floor
- Available in PVC or ABS without knockout



✓ To Submit	Part #	Description
	ML86147	3" Spigot PVC Adjustable Metal Ring Long Closet Flange
	ML86148	3" Spigot ABS Adjustable Metal Ring Long Closet Flange

Warranty

See warranty information for more details.

All dimensions listed are nominal. MAINLINE® reserves the right to make product and material changes at any time without notice.



Contact your sales representative for more information or visit our website at mainlinecollection.com