



THERMOPLASTIC SUMP PUMP

1/2 HP or 1/3 HP

FEATURES:

- Cast iron base and Corrosion-resistant motor housing
- Volute top suction design filters debris and minimizes clogging, reduces airlocks
- Lubricated ball bearings and shaft seal for long life
- Energy-efficient PSC motor
- Oil-filled motor for maximum heat dissipation
- Built-in automatic overload thermal protector



PRODUCT	DESCRIPTION
MLFS22202	Sump Pump, Primary, 1/2 HPTP Housing, CI Volute, 10' VFS
MLFS22205	Sump Pump, Primary, 1/3 HPTP Housing, CI Volute, 10' VFS

Warranty

See warranty information for more details.

All dimensions listed are nominal. MAINLINE® reserves the right to make product and material changes at any time without notice.



**FLOODSTOP**

Thermoplastic Sump Pump 1/2 HP or 1/3 HP

Application

Submersible sump pump for typical residential applications	
Voltage	115
Amps	7
Hertz	60
Phase	Single
RPM	3450 RPM
Motor type	Permanent Split Capacitor (PSC)
Insulation	Class B
Circuit requirements	15 AMP
Duty rating	Continuous*
Shaft seal	Mechanical seal
Motor Shaft	Stainless steel
Upper motor bearing	Ball bearing
Lower motor bearing	Ball bearing
Cooling	Oil cooled
Motor protection	Auto reset thermal overload protector

*For continuous, the water depth must be at least 6" to prevent the motor from overheating

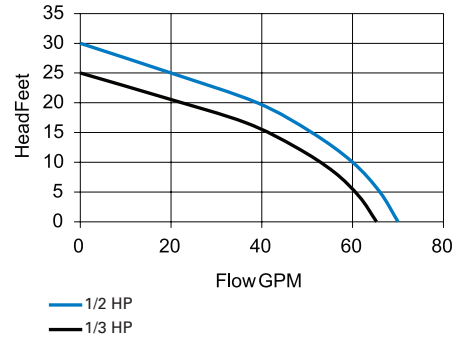
Pump Specifications

Discharge size	1-1/2" NPT & 1-1/4" NPT
Cord Length	10'
Cord type	SJTW 18AWG/3C, UL list
Pump Housing	Reinforced thermoplastic
Pump Base	Cast iron
Impeller material	Cast iron
Gasket	Rubber
Solids handling	1/4" spherical
Liquid temp. range	32° - 95°F
Operation	Automatic
Fasteners	Stainless steel
Maximum flow rate	70 GPM
Maximum head	30 ft
Max pressure	13.2 psi

Automatic Switch Specifications

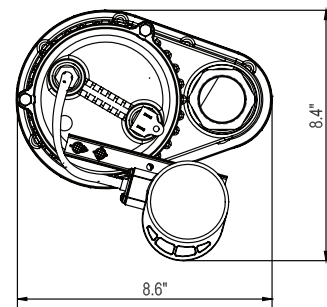
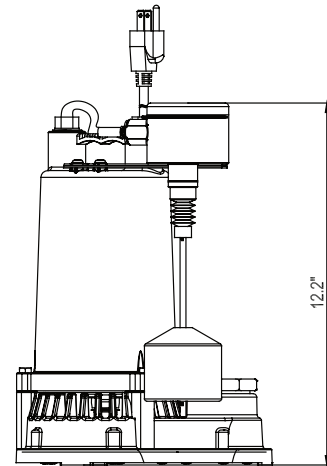
Type	Vertical
Switch on point	7.2"
Switch off point	3"
Material	Reinforced thermoplastic
Cord Length	1'
Cord type	SJTW 18AWG/2C, UL list
Sump basin	Min. 10 in. (254 mm) diameter, 14 in. (356 mm) depth

Performance



HP	Discharge Height (ft)	Flow					
		0	5	10	15	20	25
1/2	GPM	70	66	60	51	39	20
	GPH	4200	3960	3600	3060	2340	1200
1/3	GPM	65	60	53	42	22	0
	GPH	3900	3600	3180	2520	1320	0

Dimensions



Warranty

See warranty information for more details.

All dimensions listed are nominal. MAINLINE® reserves the right to make product and material changes at any time without notice.



Contact your sales representative for more information or visit our website at mainlinecollection.com

Revised August 5, 2024