



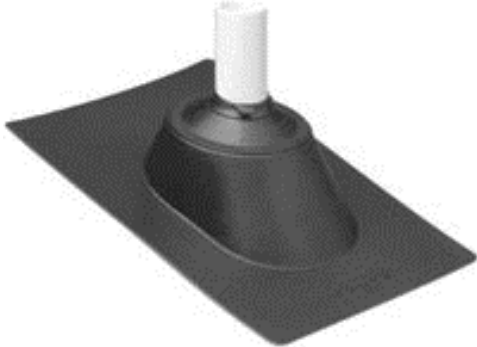
MAINLINE®

# Adjustable Hard Plastic Base Roof Flashing

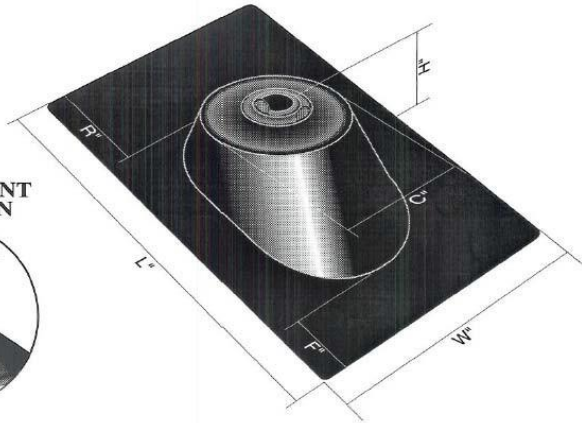
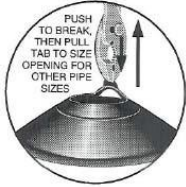
## Product Specifications

### FEATURES

- Adjustable multi-size flashing fits 1-1/4" to 3" or 3" to 4" vent pipe
- Fits any roof pitch to 45 degrees
- Tested for ultraviolet, ozone, and weather resistance
- Elastomer collar heat tested to 180 degrees Fahrenheit
- Approved for Type "B" installations



#### ADJUSTMENT FUNCTION



✓ To Submit	Part #	Description	Dim W	Dim L	Dim R	Dim F	Dim C	Dim H
	ML81700	1-1/4", 1-1/2", 2" or 3" Adjustable Hard Plastic Roof Flashing	11-1/8"	15"	3-1/2"	2-1/2"	5-3/10"	2-7/8"
	ML81702	3" or 4" Adjustable Hard Plastic Roof Flashing	12"	15-1/2"	3-3/8"	2-1/8"	6-1/4"	2-9/10"

### Warranty

See warranty information for more details.

All dimensions listed are nominal. MAINLINE® reserves the right to make product and material changes at any time without notice.



Contact your sales representative for more information or visit our website at [mainlinecollection.com](http://mainlinecollection.com)