

SILGRANIT®

Double Bowl 50/50 Dual Mount

LUXART®

Product Specifications

MODELS

- LX440220 Double Bowl, 9-1/2" bowl depths, ANTHRACITE
- LX440218 Double Bowl, 9-1/2" bowl depths, CAFÉ BROWN
- LX440221 Double Bowl, 9-1/2" bowl depths, WHITE
- LX440219 Double Bowl, 9-1/2" bowl depths, METALLIC GRAY
- LX441285 Double Bowl, 9-1/2" bowl depths, TRUFFLE
- LX441466 Double Bowl, 9-1/2" bowl depths, CINDER
- LX442912 Double Bowl, 9-1/2" bowl depths, COAL BLACK
- LX443067 Double Bowl, 9-1/2" bowl depths, SOFT WHITE
- LX443104 Double Bowl, 9-1/2" bowl depths, VOLCANO GRAY



Model LX440220 shown in ANTHRACITE
** basket strainer not included*

FEATURES

- Required outside cabinet: 33" (drop-in), 36" (undermount)
- 80% solid granite
- Heat resistant up to 536°F
- Unsurpassed cleanability backed by industry leading 7 patents!
- Resistant to scratches, stains and all household acids and alkali solutions
- Template provided
- Undermount clips NOT included
- 1/2" deck thickness
- Versatile dual deck design can be installed as a drop-in or undermount
- Limited lifetime warranty

OPTIONAL ACCESORIES

- Celcon Disposal Flange with Strainer/Stopper: LX125
- Celcon Basket Strainer: LX105

CODE/STANDARDS COMPLIANCE

ANSI Z124.6-97
IAPMO/UPC listed

NOMINAL DIMENSIONS

OVERALL	CUTOUT SIZE	BOWL DEPTH		DRAIN DIAMETER
		LEFT	RIGHT	
33"X22"	32-1/4"x21-1/4"	9-1/2"	9-1/2"	3-1/2"

DFX cutout templates available on our website

All dimensions listed are nominal. Luxart® reserves the right to make product and material changes at any time without notice.

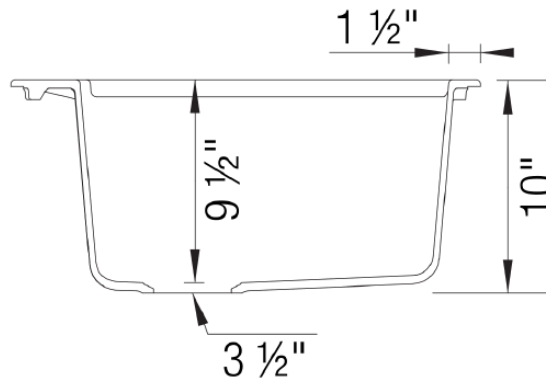
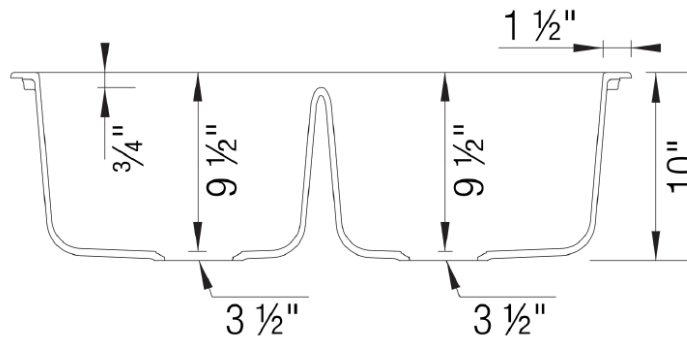
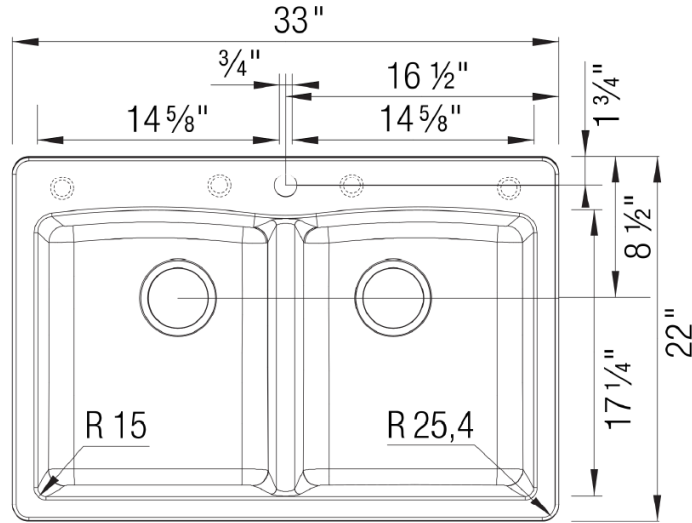


Contact your sales representative for more information or visit our website at luxartcollection.com

SILGRANIT® Double Bowl 50/50 Dual Mount

LUXART®

Product Specifications



Contact your sales representative for more information or visit our website at luxartcollection.com