

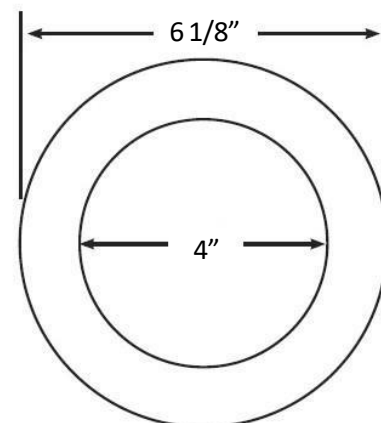
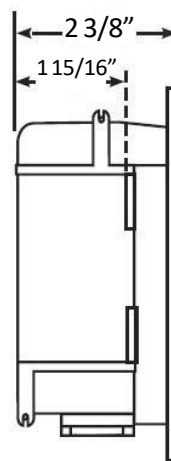
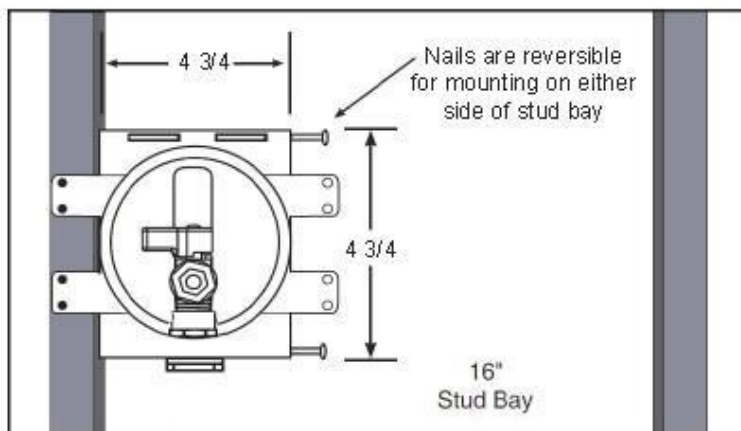
Round Mini Ice Maker Outlet Boxes with Quarter Turn Hammer Arrestor Valve and Pre-Loaded Mounting Nails



Product Specifications

Product Features:

- Furnish and install miniature round ice maker outlet box with preloaded mounting nails and lead free valve with integral hammer arrestor.
- Unit shall be MAINLINE® product code checked below as manufactured by IPS Corporation.
- Valves comply with ASME A112.18.1
- Hammer arrestors comply with ASSE 1010
- **Valve is for illustration purposes only. See description below for valve options**



✓ To Submit	Part #	Product Description	Model #	Units/Case
	ML88373	1/4 Turn Lead Free Valve, 1/2" Sweat Connection, Contractor Pack	AB9200HACP	20
	ML88378	1/4 Turn Lead Free Valve, 1/2" PEX Connection, ContractorPack	AB9202HACP	20
	ML88380	1/4 Turn Lead Free Valve, 1/2" Wirsbo® Conx., ContractorPack	AB9211HACP	20
	ML88381	1/4 Turn Lead Free Valve, 1/2" CPVC Connection, ContractorPack	AB9201HACP	20

Warranty

See warranty information for more details.

All dimensions listed are nominal. MAINLINE® reserves the right to make product and material changes at any time without notice.



Contact your sales representative for more information or visit our website at mainlinecollection.com