

Single Hole Pedestal Lavatory

Product Specifications

Features

- Vitreous china
- Single hole faucet drilling
- Rear overflow hole
- Mounting hardware supplied
- Basin and leg sold together in one carton
- Faucet not included

Overall Size

- 560mm W x 472mm D x 860mm H
H22" W x 18½" D x 33⅞" H

Compliance Certifications

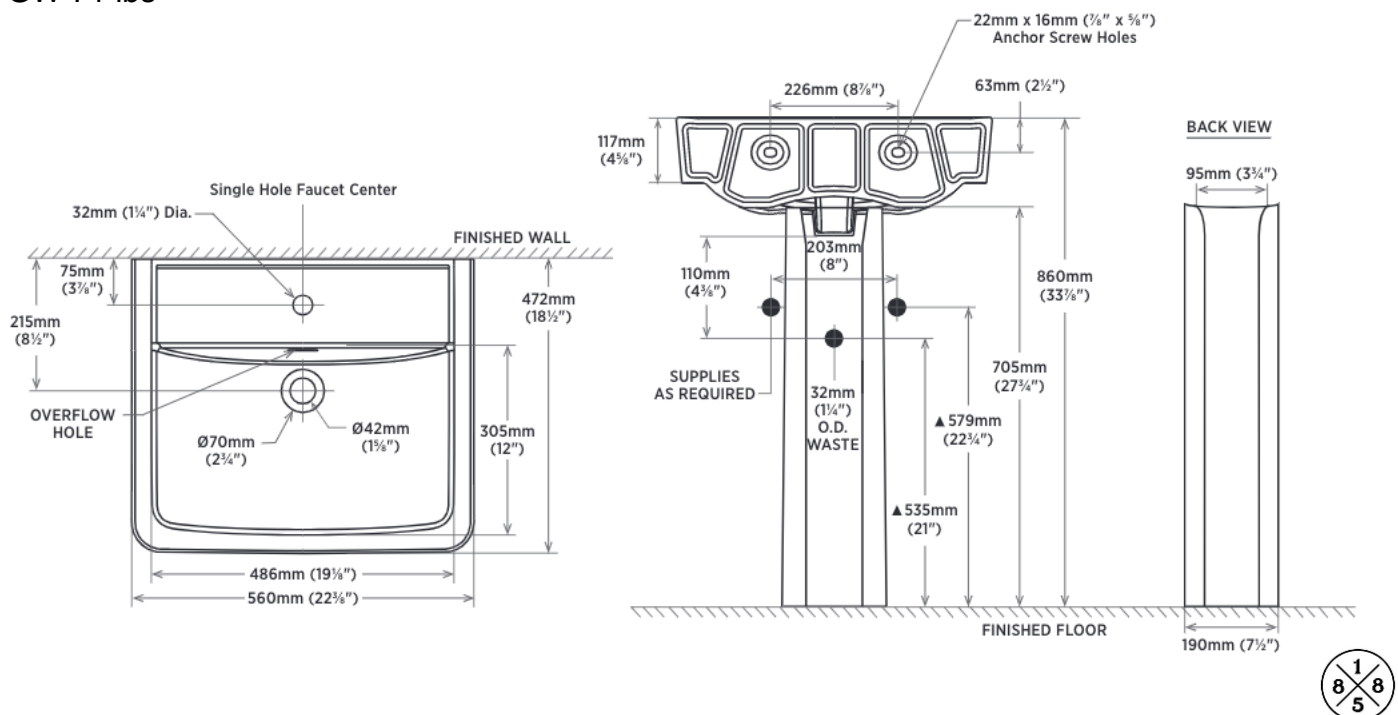
- Meets or exceeds the following:
- IAPMO cUPC
- ASME A112.19.2 / CSA B45.1

Shipping

- Cube 6.07
- GW 71 lbs



LXS10025 Matte Black Pedestal Lavatory Basin and Base
LXS10026 Slate Gray Pedestal Lavatory Basin and Base



All dimensions listed are nominal. Luxart® reserves the right to make product and material changes at any time without notice.

Contact your sales representative for more information or visit our website at luxartcollection.com