

Push Connect® Brass End Stops

Product Specifications

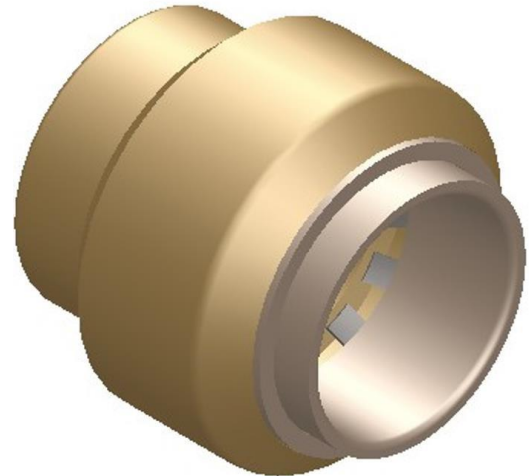
Page 1 of 2

PRODUCT FEATURES

- Forged Lead Free* Brass
- Maximum Working Pressure: 200 PSI
- Maximum Temperature Rating: 200° F
- Compatible with Copper, CPVC, PEX & PE-RT
- Replaceable O-Ring Seal Design
- Removable and Reusable
- Push to Connect
- Full Flow
- Available with Pre-Inserted Stiffener
- Dual Seal on Sizes 1-1/4" and Larger

APPROVED APPLICATIONS

- Plumbing
- Heating
- Irrigation
- Underground
- Hydronic Heating
- Behind Walls without Access Panel



NOTE: When using PEX, a tube stiffener should be inserted into the PEX tubing end prior to insertion into the fitting.

FORCES FOR MECHANICAL SEPARATION TEST

Nominal Size		Longitudinal (Pull) Test	
Inches	mm	Lbf	N
3/8 or <	10 or <	100	444.8
1/2	13	150	667
3/4	19	275	1223.2
1	25	475	2112.8

✓To Submit	Part #	Size
	MLU886RLF	1/4"
	MLU512LF	3/8"
	MLU514LF	1/2"
	MLU518LF	3/4"
	MLU520LF	1"
	MLU512LF-S	3/8" w/ Stiffener
	MLU514LF-S	1/2" w/ Stiffener
	MLU518LF-S	3/4" w/ Stiffener
	MLU520LF-S	1" w/ Stiffener

Warranty

See warranty information for more details.

All dimensions listed are nominal. MAINLINE® reserves the right to make product and material changes at any time without notice.



Contact your sales representative for more information or visit our website at mainlinecollection.com



Push Connect[®] Brass End Stops

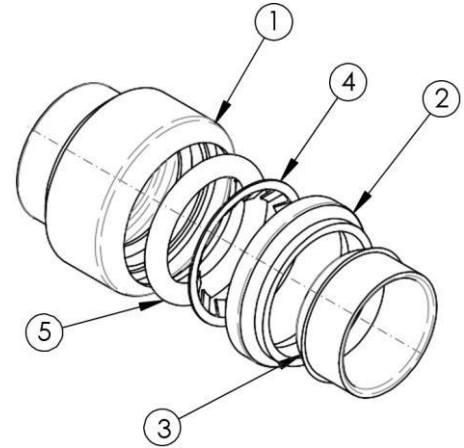
Product Specifications

Page 2 of 2

MAINLINE[®]

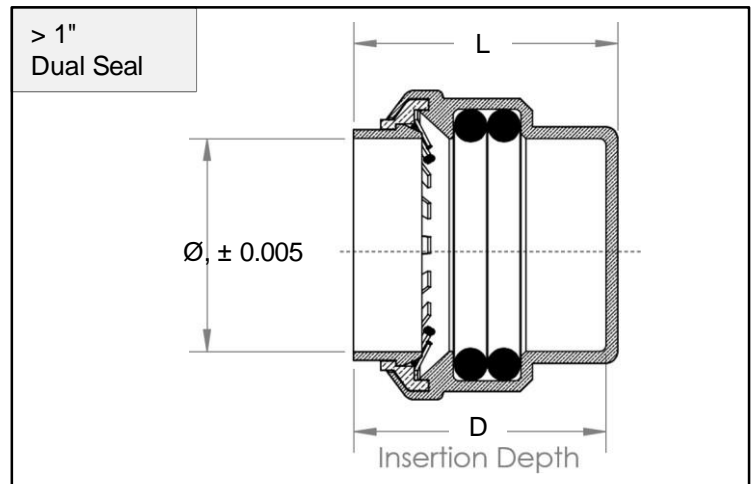
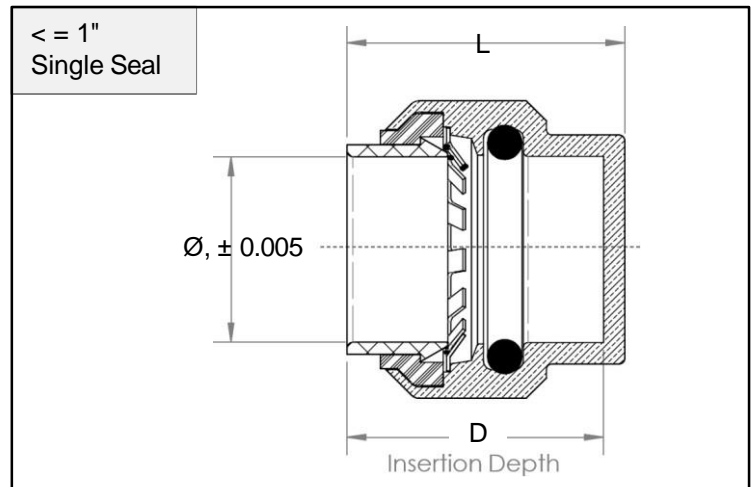
MATERIALS & SPECIFICATIONS

#	Component	Material	
		<= 1"	> 1"
1	Body	Lead Free Brass	Lead Free Brass
2	Seat Ring	POM	Lead Free Brass
3	Push Ring	POM	Lead Free Brass
4	Grip ring	Stainless Steel	Stainless Steel
5	O-Ring Seal	EPDM70	EPDM70



DIMENSIONS

#	Ø	D	L
MLU886RLF	TBD	TBD	TBD
MLU512LF	0.515	0.81	0.948
MLU514LF	0.64	1	0.95
MLU518LF	0.88	1.06	1.28
MLU520LF	1.142	1.31	1.37
MLU512LF-S	0.515	0.81	0.948
MLU514LF-S	0.64	1	0.95
MLU518LF-S	0.88	1.06	1.28
MLU520LF-S	1.142	1.31	1.37



Contact your sales representative for more information or visit our website at mainlinecollection.com