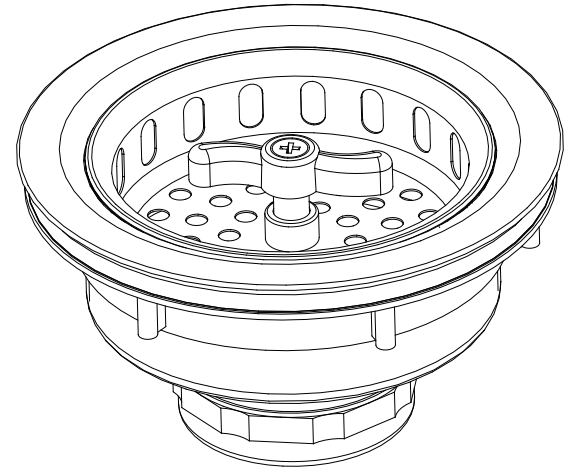
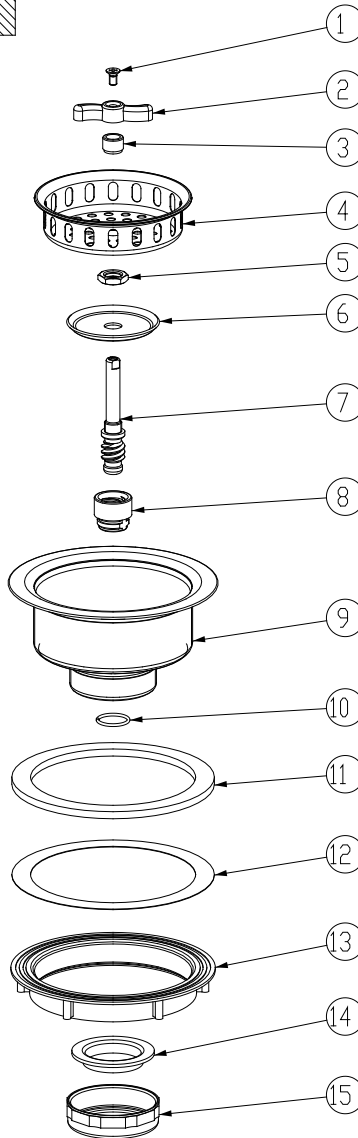
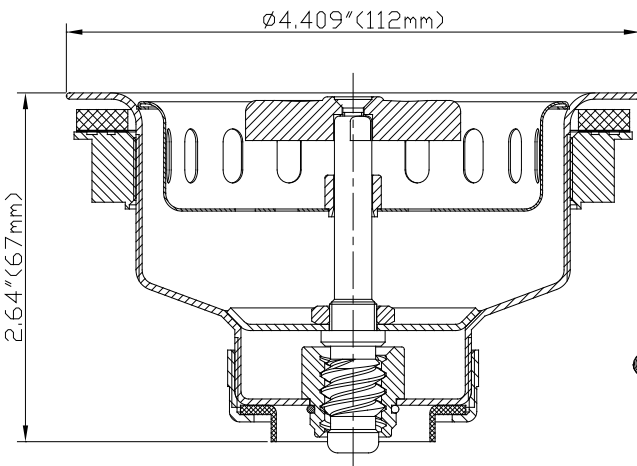


SPECIFICATIONS

- Stainless Steel Body
- Stainless Steel Basket
- Threaded Metal Post for Positive Seal
- Heavy Locknut
- Zinc Die Cast Tailpiece Nut



ML17



No.	Part Name	Material
1	Screw	Stainless Steel
2	Handle	Zinc
3	Bushing	Brass
4	Basket	Stainless Steel
5	Nut	Brass
6	Stopper	Stainless Steel
7	Screw Post	Brass
8	Connector	Brass
9	Body	Stainless Steel
10	Compression Ring	Stainless Steel
11	Washer	Rubber
12	Friction Washer	Paper
13	Lock Nut	Zinc
14	Washer	PE
15	Tailpiece Nut	Zinc

CROSS REFERENCE	
17	300-001
S14-003	1433SS

CERTIFICATIONS

- cUPC

