



MAINLINE®

# Expansion Joint Couplings

## Product Specifications

### PRODUCT FEATURES

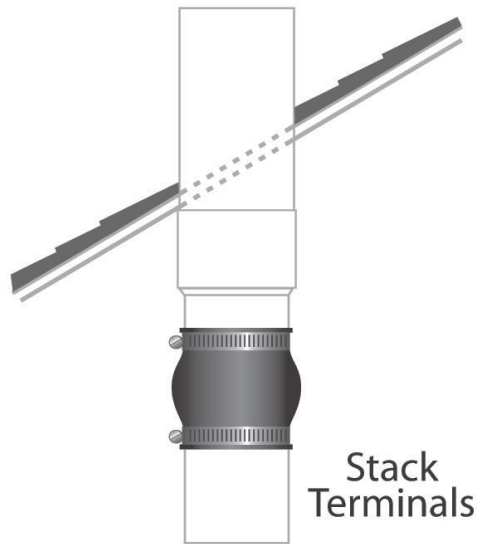
- Sizes 2" & 3"
- Designed for vertical installation
- Allows a maximum 1-1/2" for thermal expansion and 1/2" for contraction of drain, waste and vent systems
- One-piece design
- No sliding parts to malfunction
- Internal stop for positive positioning
- Stainless Steel clamps are rust proof and corrosion resistant

### MATERIALS

- Flexible elastomeric connectors
- Stainless Steel clamps:
  - Band – AISI Type 301 Stainless Steel
  - Housing – AISI Type 301 Stainless Steel
  - Screw – AISI Type 305 Stainless Steel 5/16" Slotted Hex Head
- Install to 60 inch-lbs. torque
- Pressure rated to maximum 4.3 PSI



✓ To Submit	Part #	Description
	MLXJ-22	2" Expansion Coupling
	MLXJ-33	3" Expansion Coupling



### Warranty

See warranty information for more details.

All dimensions listed are nominal. MAINLINE® reserves the right to make product and material changes at any time without notice.



Contact your sales representative for more information or visit our website at [mainlinecollection.com](http://mainlinecollection.com)