



Push Connect® Brass FIP Slip Repair Tees

Product Specifications

PRODUCT FEATURES

- Forged Lead Free* Brass
- Maximum Working Pressure: 200 PSI
- Maximum Temperature Rating: 200° F
- Compatible with Copper, CPVC, PEX & PE-RT
- Replaceable O-Ring Seal Design
- Removable and Reusable
- Push to Connect
- Full Flow
- Available with Pre-Inserted Stiffener

APPROVED APPLICATIONS

- Plumbing
- Heating
- Irrigation
- Underground
- Hydronic Heating
- Behind Walls without Access Panel

NOTE: When using PEX, a tube stiffener should be inserted into the PEX tubing end prior to insertion into the fitting.

MATERIALS & SPECIFICATIONS

#	Component	Material
1	Body	Lead Free Brass
2	Seat Ring	POM
3	Push Ring	POM
4	Grip ring	Stainless Steel
5	O-Ring Seal	EPDM70

DIMENSIONS

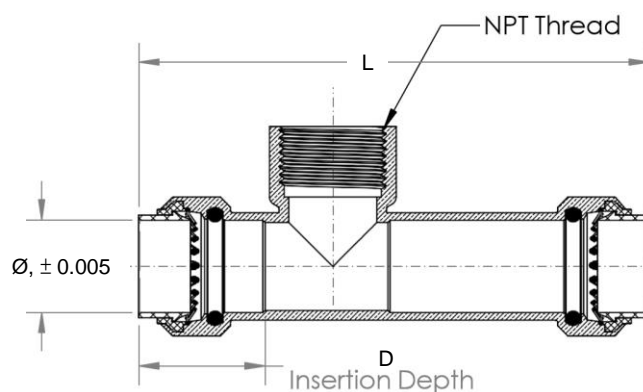
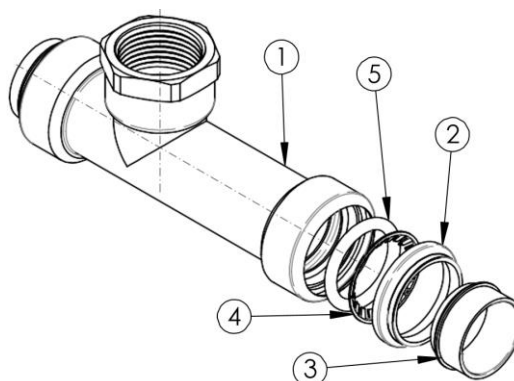
#	Ø	D	L
MLU3482LF	0.64	1	4.43
MLU3486LF	0.88	1.06	4.92
MLU3482LF-S	0.64	1	4.43
MLU3486LF-S	0.88	1.06	4.92

✓ To Submit	Part #	Size
	MLU3482LF	1/2" x 1/2" x 1/2"
	MLU3486LF	3/4" x 3/4" x 3/4"
	MLU3482LF-S	1/2" x 1/2" x 1/2" w/ Stiffener
	MLU3486LF-S	3/4" x 3/4" x 3/4" w/ Stiffener

Warranty

See warranty information for more details.

All dimensions listed are nominal. MAINLINE® reserves the right to make product and material changes at any time without notice.



FORCES FOR MECHANICAL SEPARATION TEST

Nominal Size	Longitudinal (Pull) Test		
	Inches	mm	Lbf
1/2	13	150	667
3/4	19	275	1223.2



Contact your sales representative for more information or visit our website at mainlinecollection.com