

# Single Bowl 1 Hole Laundry Sink

## Product Specifications

### Features

- 16 Gauge
- Type 304 Stainless Steel
- Fully Undercoated
- Sound Absorption Pads
- Brushed Satin Finish

**Overall Size:** 23" x 23"

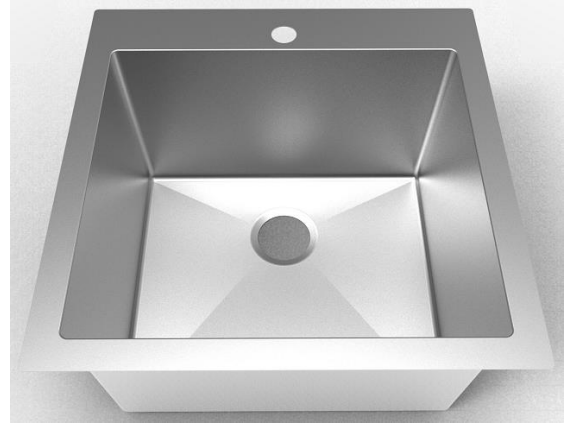
**Bowl Depth:** 12"

**Minimum Cabinet Size:** 24"

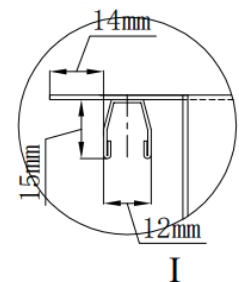
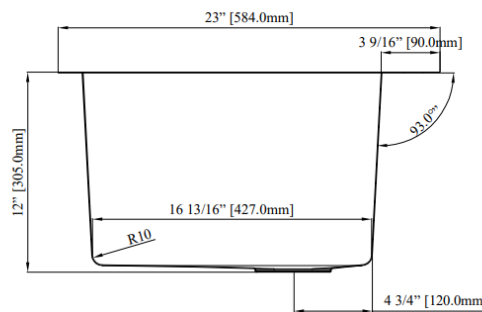
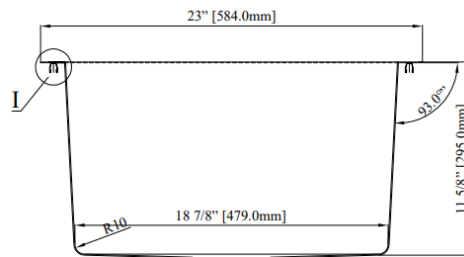
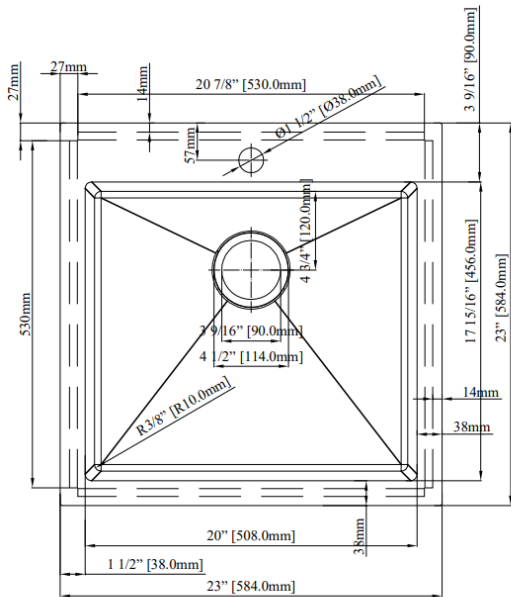
**Drain Opening:** 3-1/2"

**Drain Placement:** Center Rear

**USE SINK AS CUTOUT TEMPLATE**



**LXNZS2323DM1**



### Optional Accessories

- Bottom Basin Rack: LXNZS2323DM1BG
- Basket Strainer: MLL7, ML18, ML14, ML15
- Soap Dispenser: CSD, LCSD, LGLSD

For cutout measurement: Use sink in sink box.

All dimensions listed are nominal. Luxart® reserves the right to make product and material changes at any time without notice.



Contact your sales representative for more information or visit our website at [luxartcollection.com](http://luxartcollection.com)