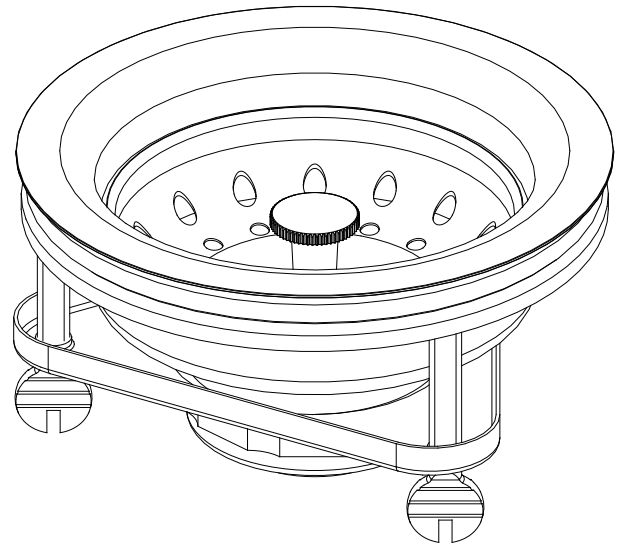
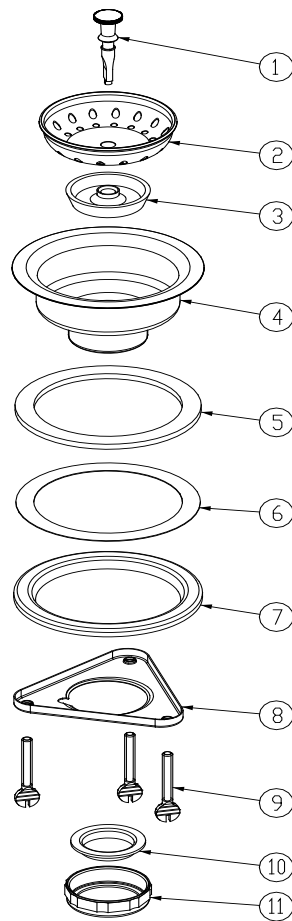
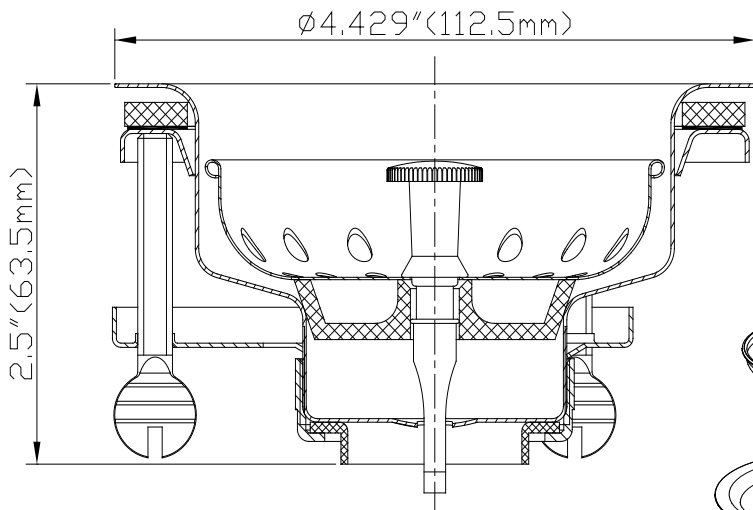


SPECIFICATIONS

- Stainless Steel Body
- Stainless Steel Basket
- Threaded Flange With Thumb Screws For Easy Installation
- Zinc Die Cast Tailpiece Nut



ML3BN



CROSS REFERENCE	
3BN	300-004
S14-008	1441SS
646-443	ZP243-SS

No.	Part Name	Material
1	Stick Post	ABS
2	Basket	Stainless Steel
3	Stopper	Rubber
4	Body	Stainless Steel
5	Washer	Rubber
6	Friction Washer	Paper
7	Press Plate	Plated Steel
8	Flange	Plated Steel
9	Thumb Screw	Plated Steel
10	Washer	PE
11	Tailpiece Nut	Zinc

